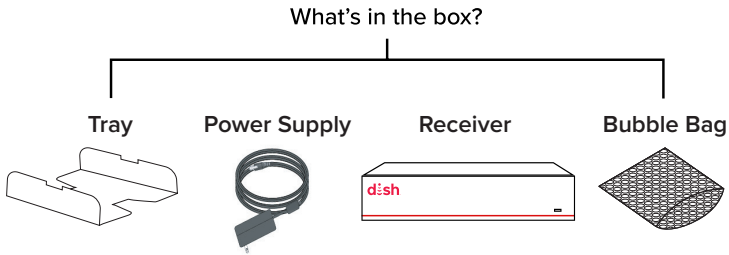
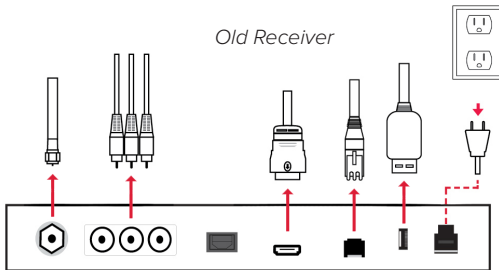


Set Up Your New Receiver & Watch TV Today!

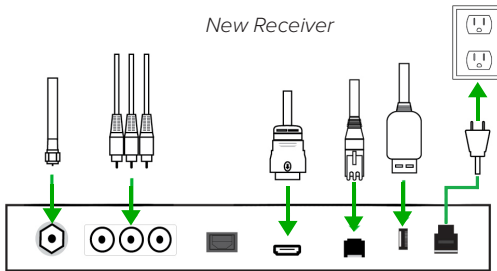
(Para descargar esta guía en español, visite mydish.com.)



- 1 Unplug the power cord from the wall. Then disconnect the cables from the receiver you're returning. Leave the remaining cables connected to the wall/TV.



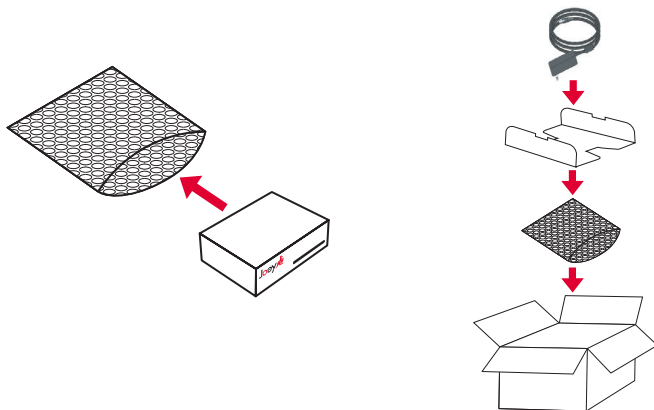
- 2 Attach the cables to your new receiver and plug the new power cord into the wall.



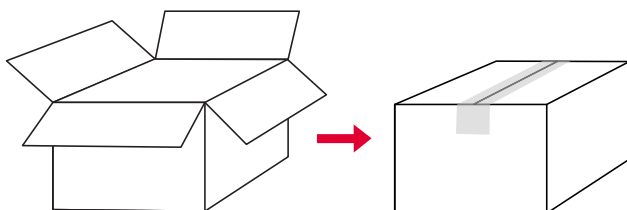
- 3 Follow the onscreen setup instructions. Make sure that your TV is on and set to the proper input.



- 4** Package the old receiver by placing it in the provided bubble bag, and then placing it in the box. Place the cardboard tray over the receiver for added protection and then the old power supply on top.



- 5** Close the box by folding the flaps toward the center. Seal the box using clear packaging tape.



- 6** Flip and reattach the shipping label on the side of the box. Take the box to a UPS dropoff location. Go to [ups.com/dropoff](https://www.ups.com/dropoff) to find a location near you.

