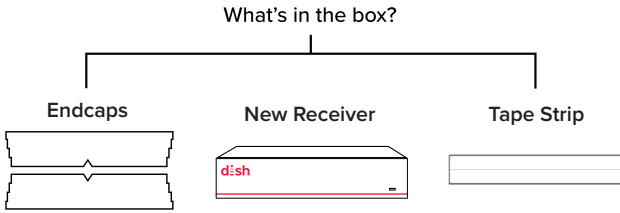
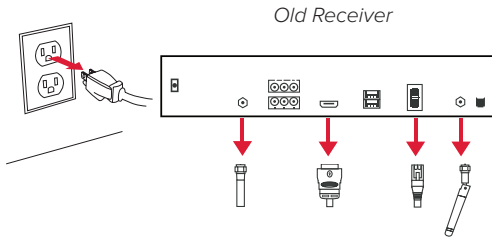


Set Up Your New Receiver & Watch TV Today!

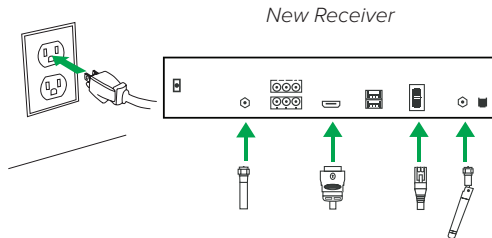
(Para descargar esta guía en español, visite mydish.com.)



- 1 Disconnect Your Old Receiver.** On your old receiver, unplug the power cord from the wall. Then, disconnect the cables and remote antenna from your old receiver. Leave the remaining cables connected to the wall/TV. You may have more cables than those shown here.



- 2 Set Up Your New Receiver.** Attach the cables and remote antenna to your new receiver. Then, plug the new power cord into the wall.

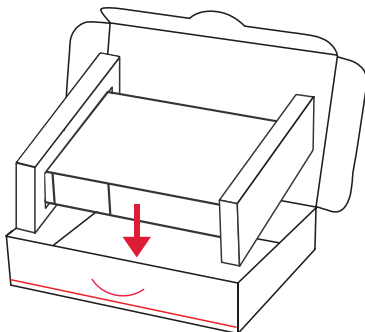


- 3 Follow the onscreen setup instructions.** Make sure that your TV is on and set to the proper input.

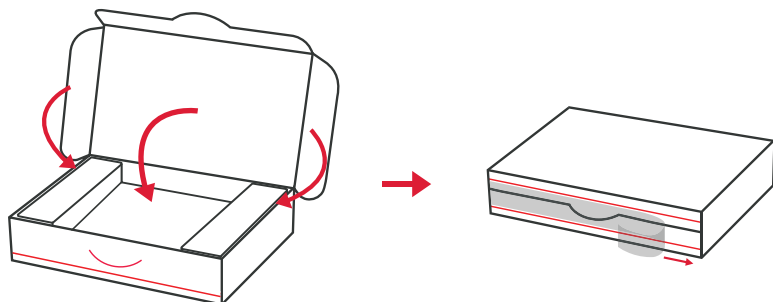


Tip: Be sure to connect your receiver to the internet to access all of its great features, like On Demand shows and movies! Reference the other card included in the box for more benefits.

- 4 Package Your Old Receiver.** Place the endcaps on both sides of the old receiver. Then, place the old receiver in the box the new receiver came in.



- 5 Close the box.** Ensure the side flaps are inside the box and the front flap is on the outside. Using only the tape strip provided, seal the box by taping down the front flap within the solid red lines.



- 6 Locate the prepaid shipping label on the side of the box.** Follow the instructions on the label to attach it to the box. Take the box to a UPS dropoff location. Go to [ups.com/dropoff](https://www.ups.com/dropoff) to find a location near you.

