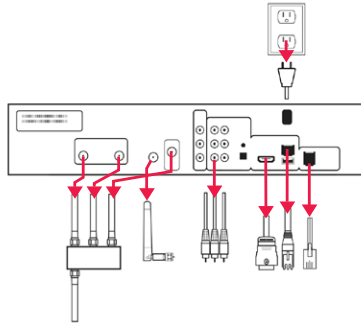


# Set Up Your New Receiver & Watch TV Today!

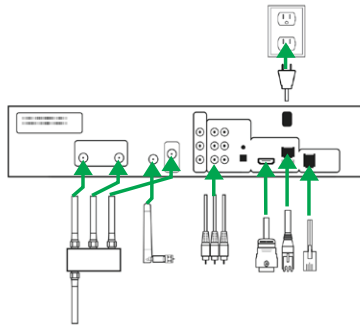
(Para descargar esta guía en español, visite [mydish.com](http://mydish.com).)

- 1 Disconnect Your Old Receiver.** On your old receiver, unplug the power cord from the wall. Then, disconnect the cables and remote antenna from your old receiver. Leave the remaining cables connected to the wall/TV. You may have more cables than those shown here.



The back of your receiver may look different than pictured, but you should have similar cables.

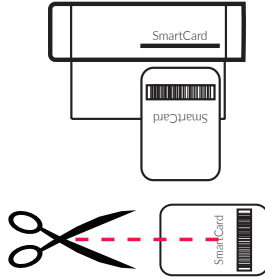
- 2 Set Up Your New Receiver.** Attach the cables and remote antenna to your new receiver. Then, plug the new power cord into the wall.



- 3 Follow the onscreen setup instructions.** Make sure that your TV is on and set to the proper input.



- 4 Remove the SmartCard.** Open the front panel on your original receiver and take out the SmartCard. Then cut the SmartCard lengthwise through the main chip.



- 5 Recycle your receiver.** Visit [mydish.com/recycle](http://mydish.com/recycle) to find an e-waste recycling facility near you. Take your receiver to that facility.



To learn more about your receiver or to contact DISH, visit [mydish.com/support](http://mydish.com/support).